

pore
enrichment

5 YEAR
WARRANTY

PUREZONE

TRUE HEPA AIR PURIFIER



USER MANUAL
MODEL: PEAIRPLG

TABLE OF CONTENTS

WARNINGS AND PRECAUTIONS	3
FCC WARNING	5
PRODUCT SPECIFICATIONS	5
INTRODUCTION.....	6
PRODUCT FEATURES.....	6
PRE-OPERATING & OPERATING INSTRUCTIONS.....	7-8
INSTALLING & REMOVING THE FILTER.....	8
CLEANING & MAINTAINING THE FILTER.....	9
UV LAMP REPLACEMENT.....	9
TROUBLESHOOTING.....	10
WARRANTY & PRODUCT REGISTRATION.....	11

WARNINGS AND PRECAUTIONS



Read this entire instruction manual before operation. Failure to adhere to the following warnings can cause harm to you or the unit.

- Close supervision is necessary when any appliance is used by or near children and pets.
- Remove the plastic bag that the filter is packaged in before initial use.
- To avoid fire and shock hazard, plug PureZone directly into a 120V AC electrical outlet.
- DO NOT run power cord under carpeting, or cover with rugs or runners. Arrange the cord away from areas where it may be tripped over.
- To prevent electrical shock, do not spray the unit, plug, or cord with liquids. Never submerge any part of the unit in water.
- Always unplug PureZone before moving it, opening the front cover changing the filter, replacing the UV lamp, and whenever the unit is not being used. To disconnect from the power supply, grip the plug and pull from the power socket. Never pull by the cord.
- NEVER drop or insert any object into any openings.
- DO NOT operate the unit with a damaged cord or plug, after it malfunctions, or after it has been dropped or damaged in any way.
- DO NOT use PureZone outdoors.
- DO NOT place any object on top of the unit or block any of its openings or vents.
- NEVER place the unit on a soft surface, such as a bed or sofa, as this could cause the unit to tip over and block the air vents.
- Keep PureZone away from heated surfaces and open flames.
- DO NOT attempt to repair or adjust any electrical or mechanical functions on PureZone. Doing so will void the warranty. The inside of this unit contains no user serviceable parts.
- PureZone has a polarized plug (one blade is wider than the other). To reduce the risk of electric shock, this plug is intended to fit in a polarized outlet only one way. If the plug does not fit fully in the outlet, reverse the plug. If it still does not fit, contact a qualified electrician. Do not attempt to alter this safety feature.

WARNINGS AND PRECAUTIONS

UV Lamp Notice

UV light is harmful to bare skin and eyes and can cause temporary loss of vision. Never look directly at the UV lamp while it is illuminated; doing so could cause loss of vision! Only view the illumination through the window at the front of the unit. To prevent exposure to the ultraviolet light, unplug the power cord before performing cleaning and maintenance.

UV Lamp Disposal

If the UV lamp breaks, turn off the air purifier. DO NOT operate it with a broken lamp. DO NOT use a vacuum to clean up breakage. Sweep debris into a plastic bag and dispose properly. Contact your local waste management authority for instructions regarding recycling and the proper disposal of old lamp(s). To order a replacement lamp, visit our website at pureenrichment.com.

Mercury Notice

Because this product contains a light bulb and light bulbs contain mercury, please adhere to the following warning:

WARNING: This product contains mercury, a chemical known to the State of California to cause birth defects or other reproductive harm.

DO NOT place your used lamp(s) in the trash. Disposal of any item containing mercury must be in accordance with any hazardous waste disposal or recycling laws and regulations of your state.

FCC NOTICE

Model: PureZone True HEPA Air Purifier (PEAIRPLG)

This device complies with part 15 of the FCC Rules. Operation is subject to the following two conditions: (1) This device may not cause harmful interference, and (2) this device must accept any interference received, including interference that may cause undesired operation.

Pure Enrichment
2803 S. Yale St.
Santa Ana, CA 92704
pureenrichment.com

Product is protected against unauthorized use. DO NOT modify without authorization of manufacturer, or user's authority to operate could be voided.

Note: This equipment has been tested and found to comply with the limits for a Class B digital device, pursuant to part 15 of the FCC Rules. These limits are designed to provide reasonable protection against harmful interference in a residential installation. This equipment generates, uses and can radiate radio frequency energy and, if not installed and used in accordance with the instructions, may cause harmful interference to radio communications. However, there is no guarantee that interference will not occur in a particular installation. If this equipment does cause harmful interference to radio or television reception, which can be determined by turning the equipment off and on, the user is encouraged to try to correct the interference by one or more of the following measures:

- Reorient or relocate the receiving antenna.
- Increase the separation between the equipment and receiver.
- Connect the equipment into an outlet on a circuit different from that to which the receiver is connected.
- Consult dealer or an experienced radio/TV technician for help.

PRODUCT SPECIFICATIONS

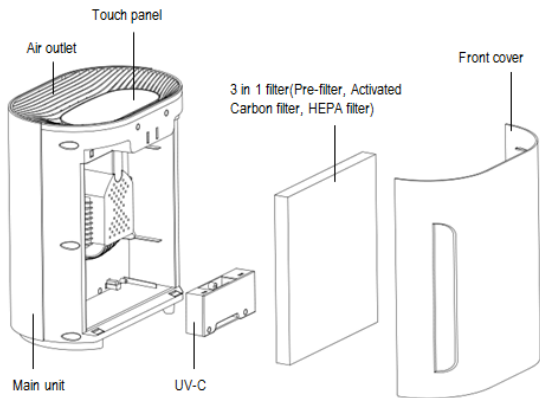
Size:	10.8" L x 6.9" W x 12.1" H
CADR:	80 cfm
Power Supply:	AC 120V, 60Hz, 60W
Noise Level:	30dB (Low), 40dB (Medium), 50dB(High)
UV Light:	Wavelength: 254nm Lamp life: Approx. 20,000 hours
Coverage Area:	Up to 200 sq ft

INTRODUCTION

Thank you for purchasing PureZone from Pure Enrichment. This 3-in-1 true HEPA air purifier is designed to capture 99.97% of dust, pollen, pet dander, smoke, mold spores, and household odors so you can breathe easily.

PRODUCT FEATURES

The diagram below highlights all of the important features of the unit.



3-IN-1 FILTER TECHNOLOGY

Pre-Filter: Captures initial dust and allergen particles.

Activated Carbon Filter: Absorbs formaldehyde, benzene, and other noxious gases.

HEPA: Captures dust, smoke, pollen, and other allergens.

UV-C Light: Eliminates up to 99.9% of microorganisms such as germs, fungi, and bacteria†.

†Staphylococcus albus (95.8%), Escherichia coli (96.6%), Aspergillus niger (88.2%), H1N1 (99.9%) independent testing

PRE-OPERATING INSTRUCTIONS

1. Carefully remove PureZone from the box and plastic bag.
2. Select a firm, level, and flat location to position the unit.

NOTE: For proper air flow, place the unit at least 1 foot away from any wall or furniture. Make sure none of the vents are blocked.

3. Before using, remove the filter from the plastic packaging.
4. Plug PureZone into a 120V AC electrical outlet.

NOTE: When moving the unit, always lift by the carrying handle located on back.

OPERATING INSTRUCTIONS



1. "POWER" BUTTON:

Press this button to turn on or switch off the unit.

2. "SPEED" BUTTON:

The fan speed of the unit can be adjusted when the unit is in operation (L/I, M/II, H/III). Each time that you press the (SPEED) button, the speed is adjusted from L (low) to M (medium) to H (high).

3. "UV-C" AND SLEEP BUTTON

- A.) Press this button to turn on/off the UV lamp and the sleep mode.
- 1st Press: UV-C ON and Sleep OFF
 - 2nd Press: UV-C ON and Sleep ON
 - 3rd Press: UV-C OFF and Sleep ON
 - 4th Press: UV-C OFF and Sleep OFF

B.) When Sleep mode is on, the sleep indicator will flash 10 times, then all the indicators will turn off automatically and the fan speed will change to the low setting automatically.

OPERATING INSTRUCTIONS (CONT'D)



4. "TIMER" BUTTON:

A.) By pressing this button, PureZone can be timed to operate for intervals of 2 hours, 4 hours, or 8 hours. The unit will stop automatically when the selected operating time has elapsed.

B.) Press the Timer button to select the required operating time. A warning light automatically indicates the remaining operating time.

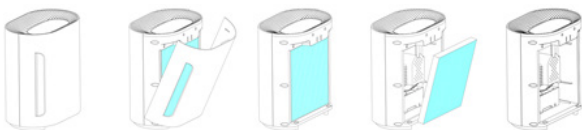
C.) To select the continuous operating mode, press the button repeatedly until there are no more indicator lights on.

NOTE: When the unit is not in use, switch it off and unplug it. PureZone has a memory function that will save the previous settings you entered before turning the unit off.

INSTALLING & REMOVING THE FILTER

The "Filter Reset" light will flicker continuously when it is time to replace the filter. Replace the filter according to the directions below, then press the POWER button and hold for 5 seconds to restart the system. The light will stop flickering.

NOTE: The 3-in-1 filter will last approximately 6 months. To purchase the replacement filter (Model: PEAIRFIL), visit pureenrichment.com.

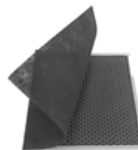


1. Open the front cover from the top.
2. Find the strip at the bottom of the filter. Remove the filter by pulling the strip.
3. Insert the new filter into the unit. Make sure the strip is installed outwards and the gray pre-filter is facing the front cover for correct installation direction.
4. Reattach the front cover of the unit and securely latch into place.
5. Press and hold POWER button for 5 seconds to reset Filter Change Indicator.

CLEANING & MAINTAINING THE FILTER

For optimal performance, the 3-in-1 filter should be cleaned at least once every month. More frequent cleaning may be required depending on the environmental conditions where you live. To clean, separate the pre-filter from the combo carbon and HEPA filter. Use the brush attachment on your vacuum cleaner to remove lint and dirt from all three filters. If necessary, you can wash the pre-filter in warm water with a mild dish detergent.

NOTE: Only the pre-filter is washable. Make sure it is completely dry before reattaching it to the combo carbon and HEPA filter.



Front (Pre-Filter & Carbon Filter)



Back (HEPA Filter)

UV LAMP REPLACEMENT

1. Open the UV lamp cover with a screw driver.
2. Remove the UV lamp from the holder carefully and unplug the connector.
3. Attach the new UV lamp to the connector and put back into the holder carefully.
4. Screw the UV lamp cover back into place securely.

NOTE: DO NOT look directly at the UV light.



TROUBLESHOOTING

Problem	Solution
Unit is not powering on	Check to make sure PureZone is properly plugged in and the electrical outlet is working.
	Check that the front cover is latched firmly in place.
	Check that the filter is firmly in place.
Decreased air flow	Check that the filter is clean.
	Check for any obstructions in the air inlet and outlet.
Excessive noise	Check for any foreign objects in contact with the fan.
	The filter may be clogged and ready for replacement.
	The foam sealing gaskets have been installed incorrectly.
	Uneven positioning.

If your problem is not resolved by the solutions listed above, contact Pure Enrichment for assistance by emailing help@pureenrichment.com.

WARRANTY

PureZone comes with an industry-leading 5 Year Warranty that begins on the date of purchase.

The warranty applies to the air purifier and necessary parts and labor relating thereto. The warranty does not apply to damage resulting from failure to follow the operating instructions, accidents, abuse, alterations, or disassembly by unauthorized individuals.

PRODUCT REGISTRATION

To ensure your full warranty, and to receive product updates and streamlined customer support, remember to register your product at:

pureenrichment.com/productregistration

ARE YOU 100% SATISFIED?

If you have product questions or concerns, don't hesitate to contact us directly at:

Email: help@pureenrichment.com

Phone: (657) 275-3737

(Available Monday - Friday, 8am-5pm PST)

Pure Enrichment has an award-winning warranty, exchange, and customer service program that guarantees hassle-free solutions within 24 hours to any issue you might have!



Santa Ana, CA 92704
pureenrichment.com